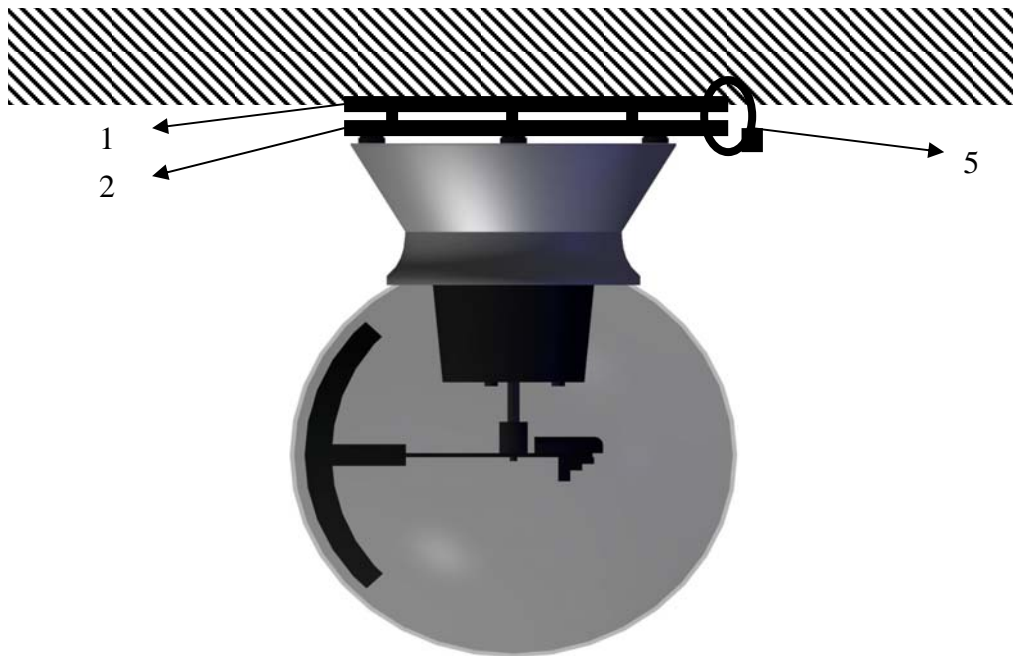
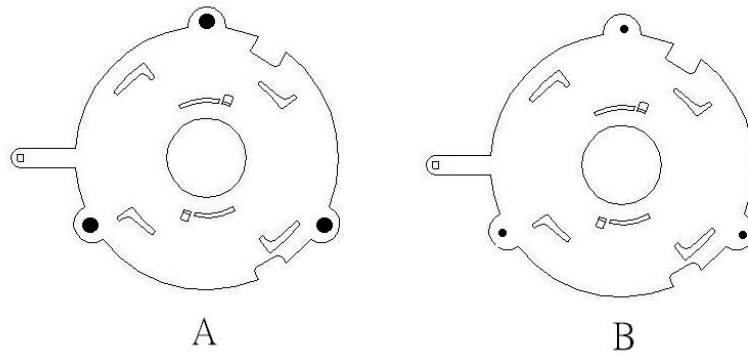




# Ceiling Bracket



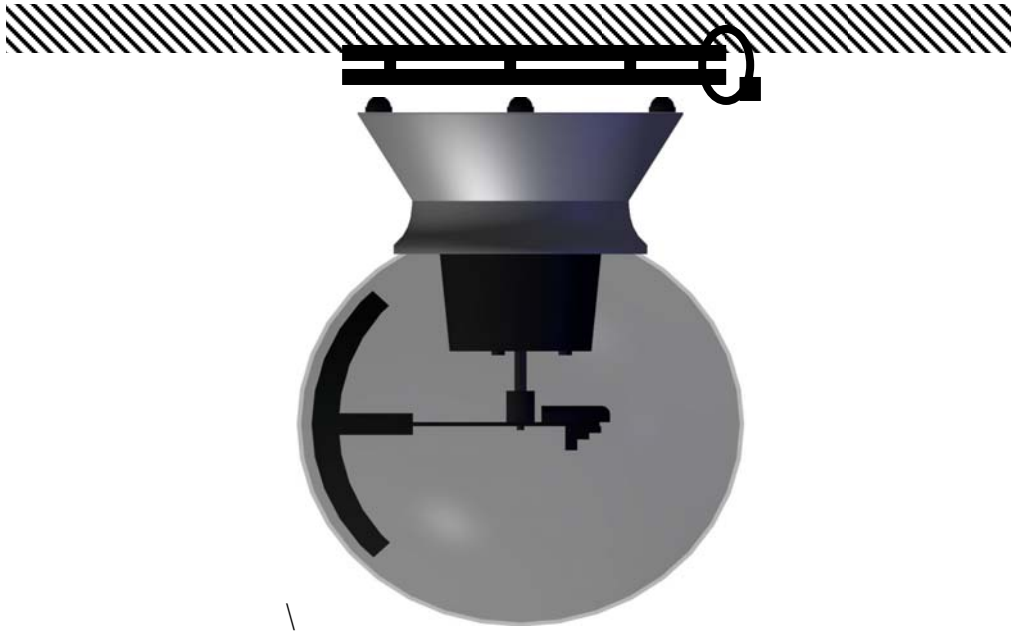
| Item | Name             | quantity |
|------|------------------|----------|
| 1    | Ceiling Plate -A | 1        |
| 2    | Ceiling Plate -B | 1        |
| 3    | Screw (L)        | 3        |
| 4    | Screw(S)         | 3        |
| 5    | Safety Wire      | 1        |



## How to upload data ( Reversed Mode)

---

1. Install Ceiling Bracket.



2. Switch to “Reverse” on Underneath base
3. Switch iBall (LED arm spinning direction will be opposite to STANDARD)

4. Click 「UPLOAD」 

**◎Click the CHECK BOX “Reversed” in SDE then  
click on ZONE/BANK/SEQ uploading**

5. The image will be “Reversed”  
automatically after uploading.