



SPACEWRITER

Dimension 150W

150W Aluminum Control Unit

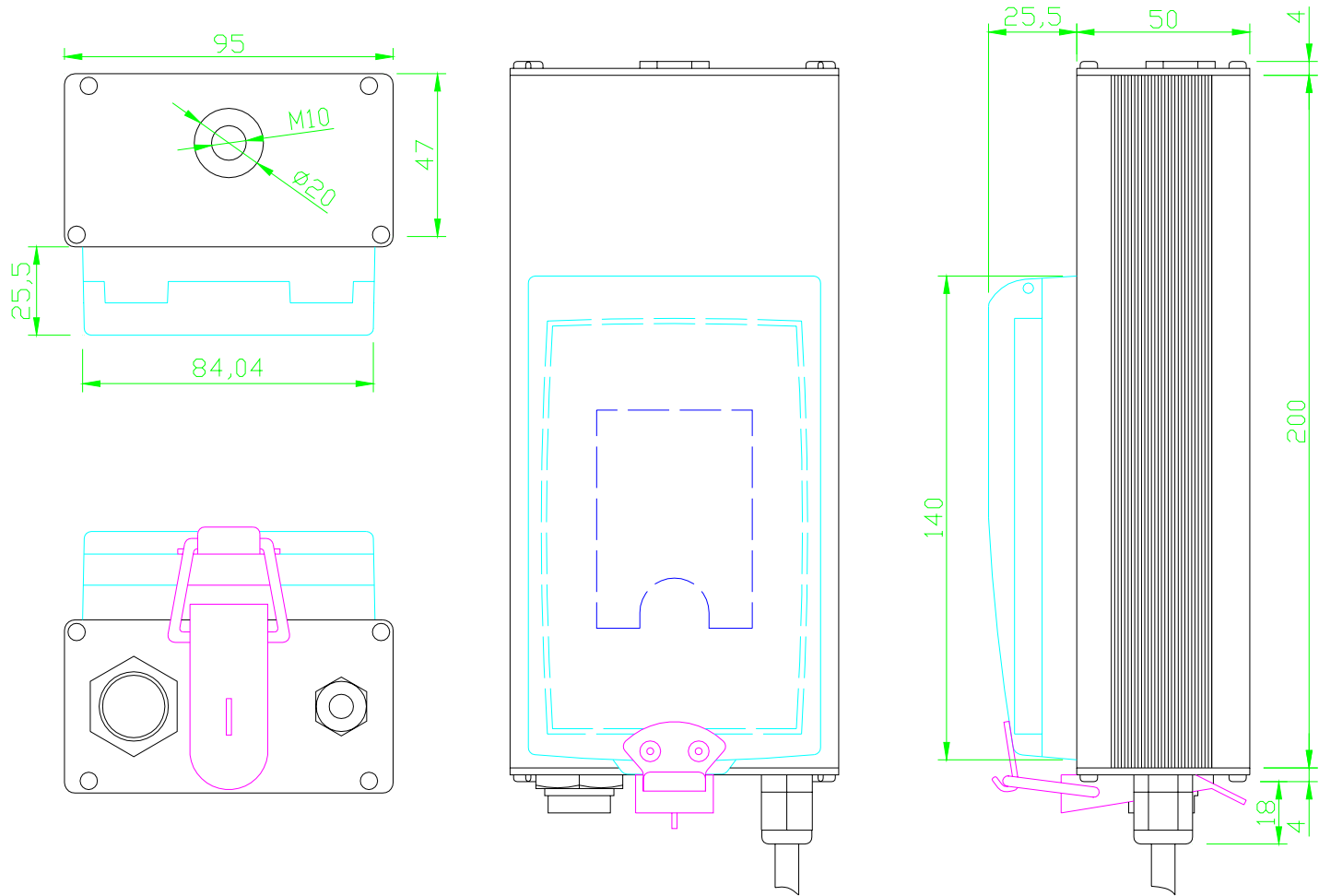


Material: Aluminum Waterproof box
and PC cover

Supporting iBall500/iBulb/ WallScreen

SPACEWRITER

Dimension150W



SPACEWRITER

Dimension 60W

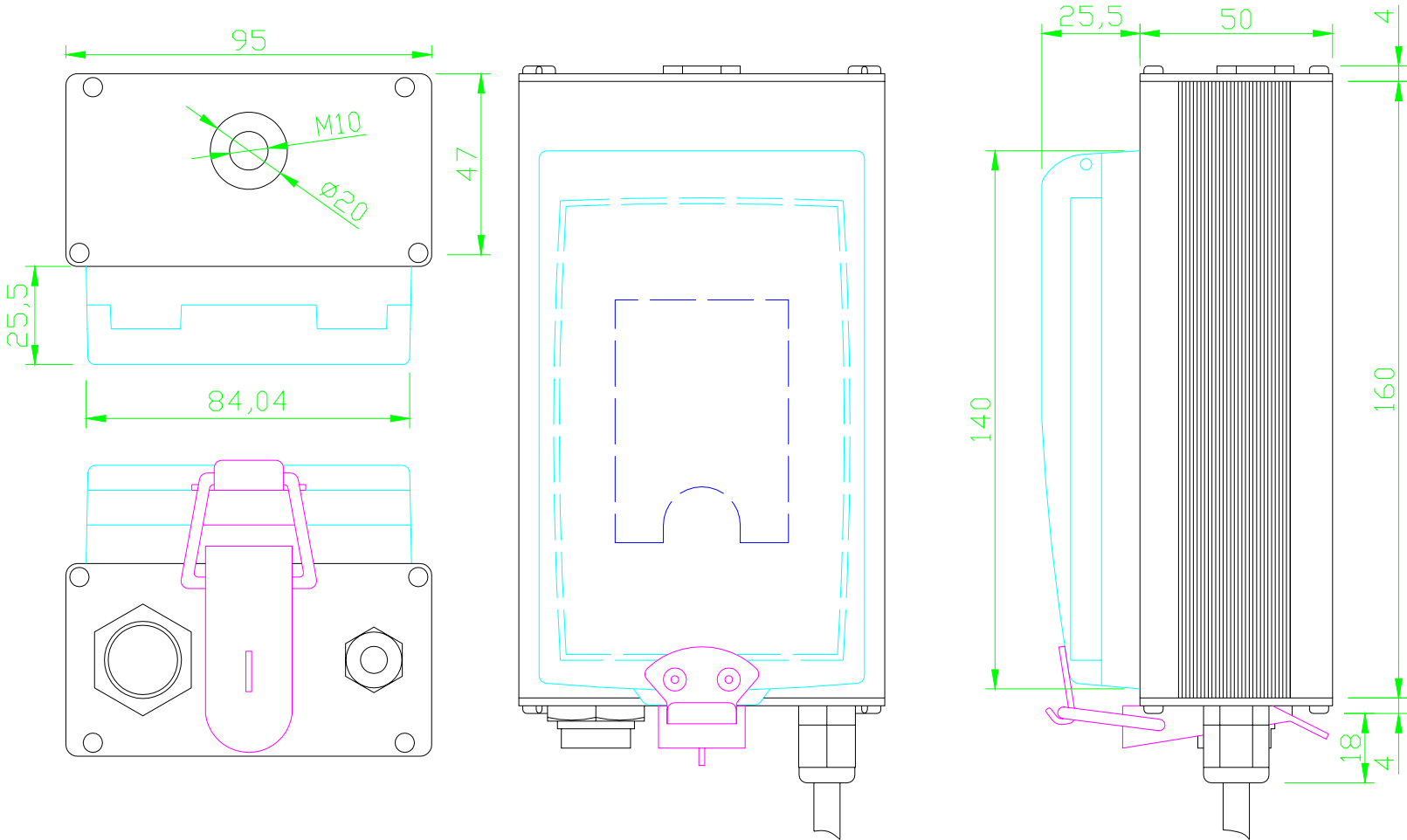


Material: Aluminum Waterproof box
and PC cover

Supporting iBall/iCone/iCube

SPACEWRITER

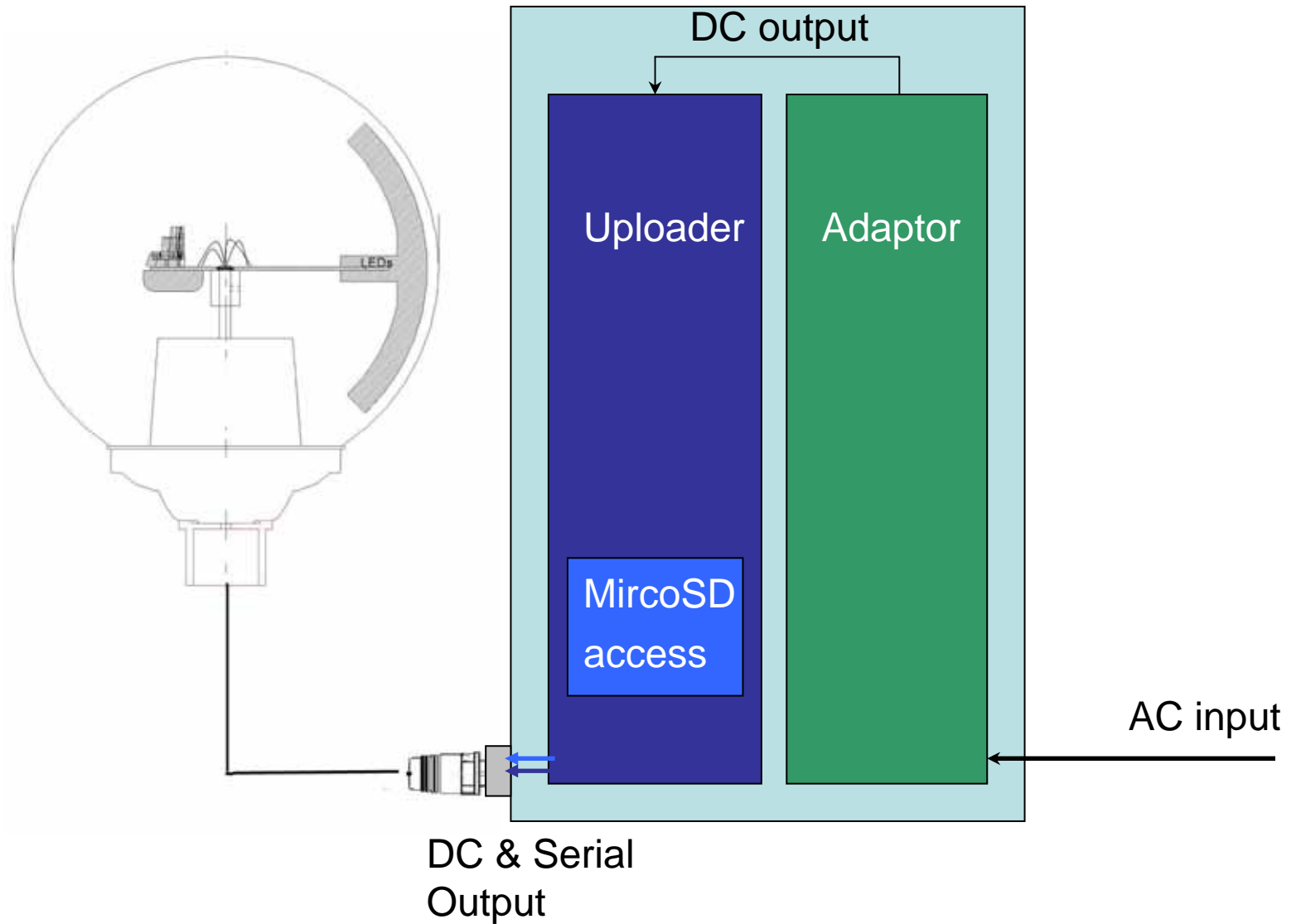
Dimension 60W



SPACEWRITER

Connection Diagram

WaterProof Box



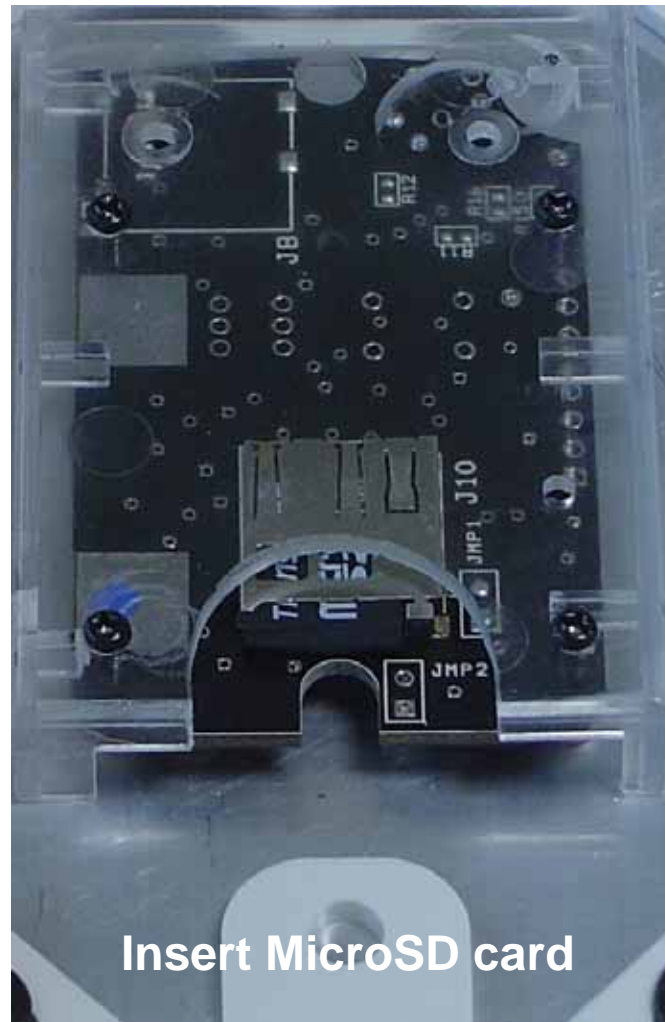
UPLOADING



Plug in **Connector**
from iBall

Plug in AC power

Control Box will upload pda file
from MicroSD card to iBall



Insert MicroSD card

SPACEWRITER

Installation

1. Wall Bracket



SPACEWRITER

Installation

2. Pole Coupler



Pole diameter: 38~45 mm



SPACEWRITER

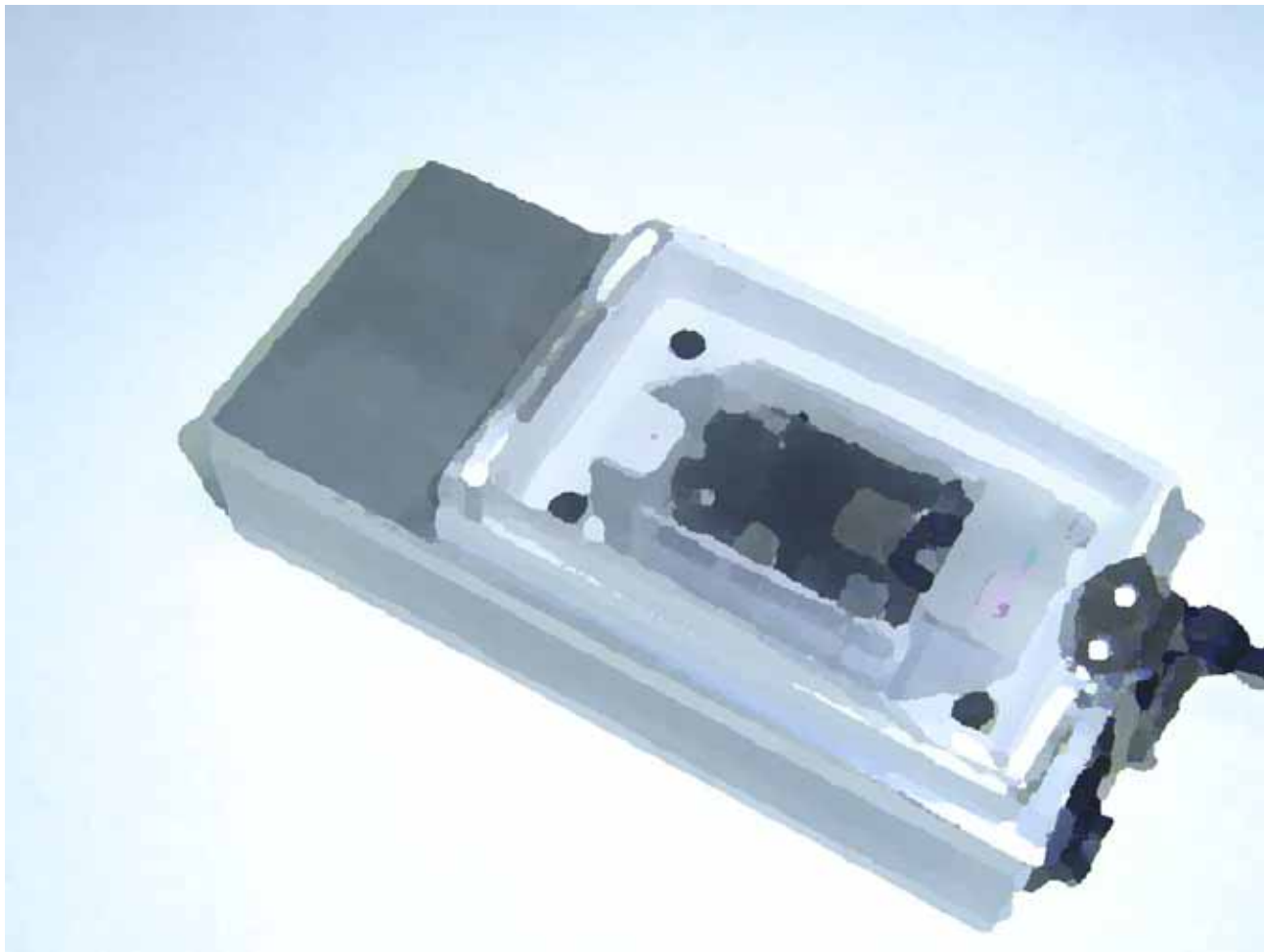
Installation

3. Pole bracket

For Booth Partition pole(supporting OCTANORM system)



SPACEWRITER



SPACEWRITER